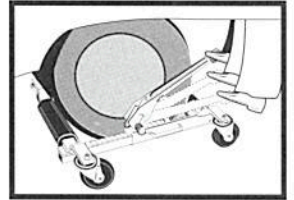
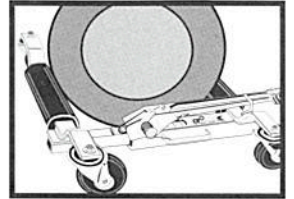
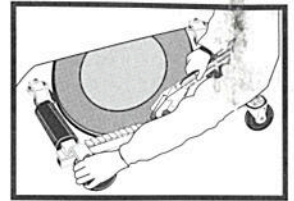


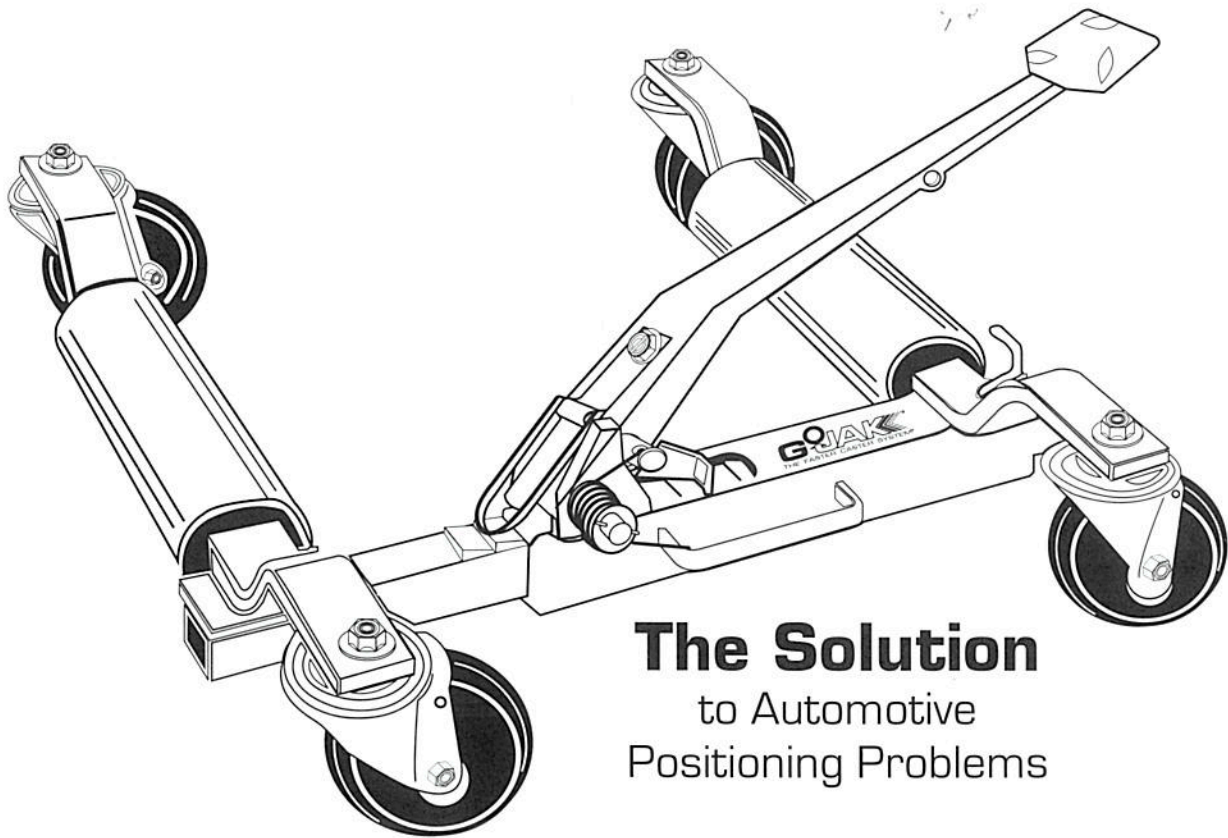
# GOJAK<sup>®</sup>

THE FASTER CASTER SYSTEM<sup>®</sup>



## OPERATIONS AND PARTS MANUAL

MODELS 4107, 4520, 5211, 6313



**The Solution**  
to Automotive  
Positioning Problems

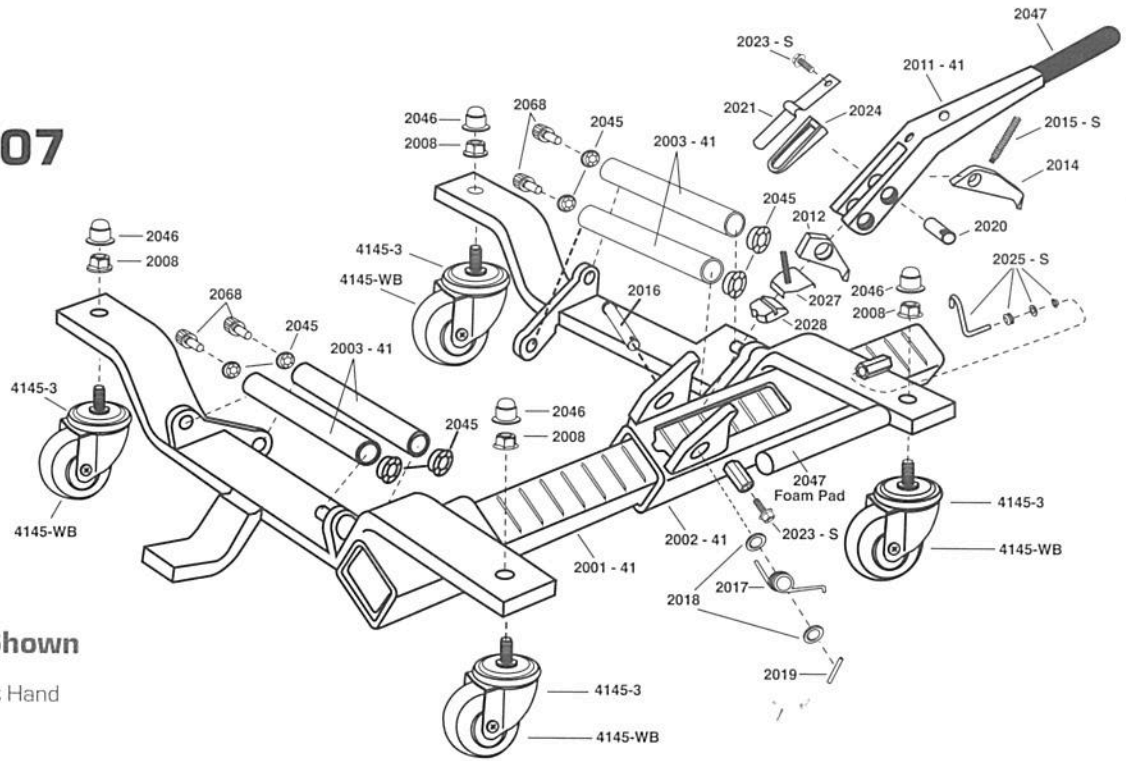
Other Quality American Made Products by Zendex Tool



Visit our Website at [www.zendextool.com](http://www.zendextool.com)



# MODEL 4107



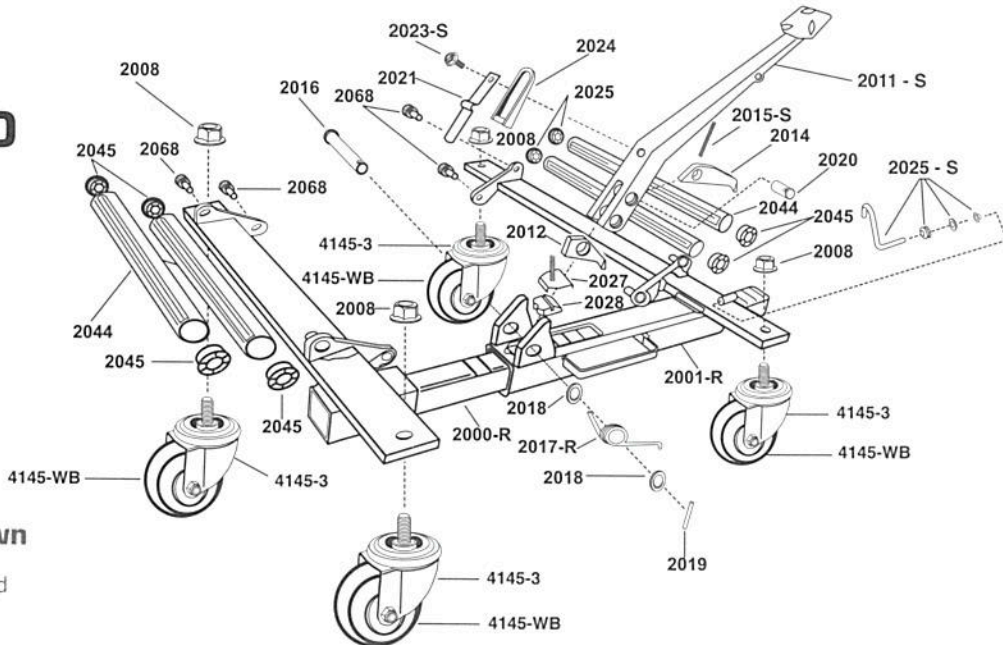
## Right Hand Unit Shown

Please Specify Right or Left Hand Model When Ordering

PART #	DESCRIPTION	PART #	DESCRIPTION	PART #	DESCRIPTION	PART #	DESCRIPTION
2001-41	Inner Body & Axle Assembly	2012	Locking Pawl	2020	Upper Pivot Shaft	2044	Roller (Steel)
2002-41	Outer Body & Axle Assembly	2014	Working Pawl	2021	Upper Flat Spring	2045	Raceway
2003-41	Roller (Steel)	2015-S	Working Pawl Spring	2023-S	Self-Tapping Bolt	2046	Nut Protector
4145-3	Caster Assembly 3"	2016	Lower Pivot Shaft	2024	Directional Lever	2047	Foam Pad
4145-WB	Wheel & Bearing 3"	2017	Torsion Spring	2025	Pedal Lock Assembly	2068	1/2 13-7/8" Skt. Cap Screw
2008	Locknut Caster 3" & 4"	2018	Washer	2027	End Stop Clip & Spring		
2011-41	Pedal (Steel)	2019	Roller Pin	2028	End Stop		



# MODEL 4520



## Right Hand Unit Shown

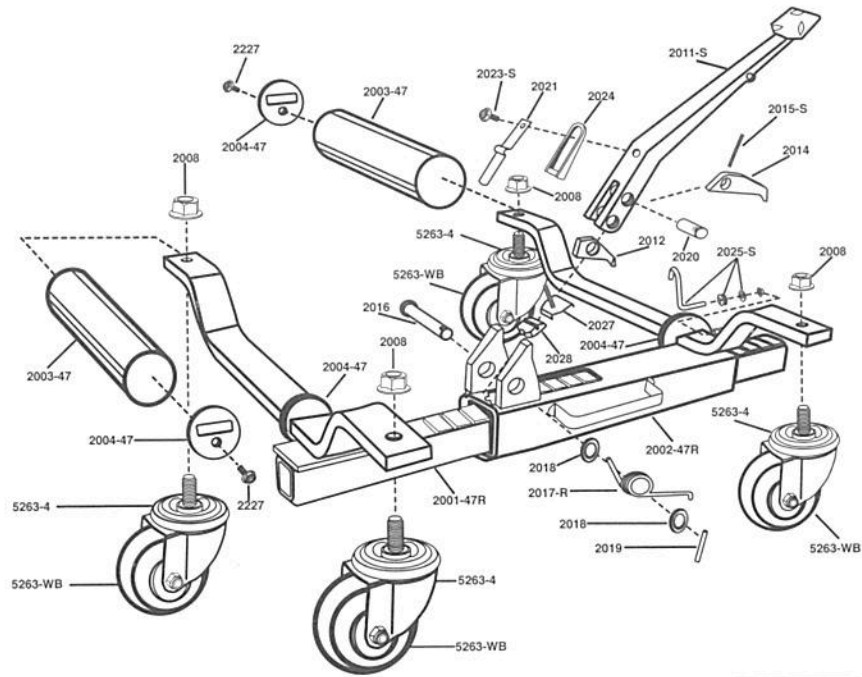
Please Specify Right or Left Hand Model When Ordering

PART #	DESCRIPTION	PART #	DESCRIPTION	PART #	DESCRIPTION	PART #	DESCRIPTION
2000-R	Inner Body & Axle Assy. R/H	2012	Locking Pawl	2020	Upper Pivot Shaft	2044	Roller (Steel)
2000-L	Inner Body & Axle Assy. L/H	2014	Working Pawl	2021	Upper Flat Spring	2045	Raceway
2001-R	Outer Body & Axle Assy. R/H	2015-S	Working Pawl Spring	2023-S	Self-Tapping Bolt	2068	1/2 13-7/8" Skt. Cap Screw
2001-L	Outer Body & Axle Assy. L/H	2016	Lower Pivot Shaft	2024	Directional Lever	3011-56	GoJak Logo Label
4145-3	Caster Assembly 3"	2017-R	Torsion Spring R/H	2025-SR	Pedal Lock Assy. R/H	3008-4	Model Label
4145-WB	Wheel & Bearing 3"	2017-L	Torsion Spring L/H	2025-SL	Pedal Lock Assy. L/H	3010	Warning Label
2008	Lock Nut	2018	Washer	2027	End Stop Clip & Spring	3003	Serial Label
2011-S	Pedal (Steel)	2019	Roller Pin	2028	End Stop		



# GOJAK<sup>®</sup>

## MODEL 5211



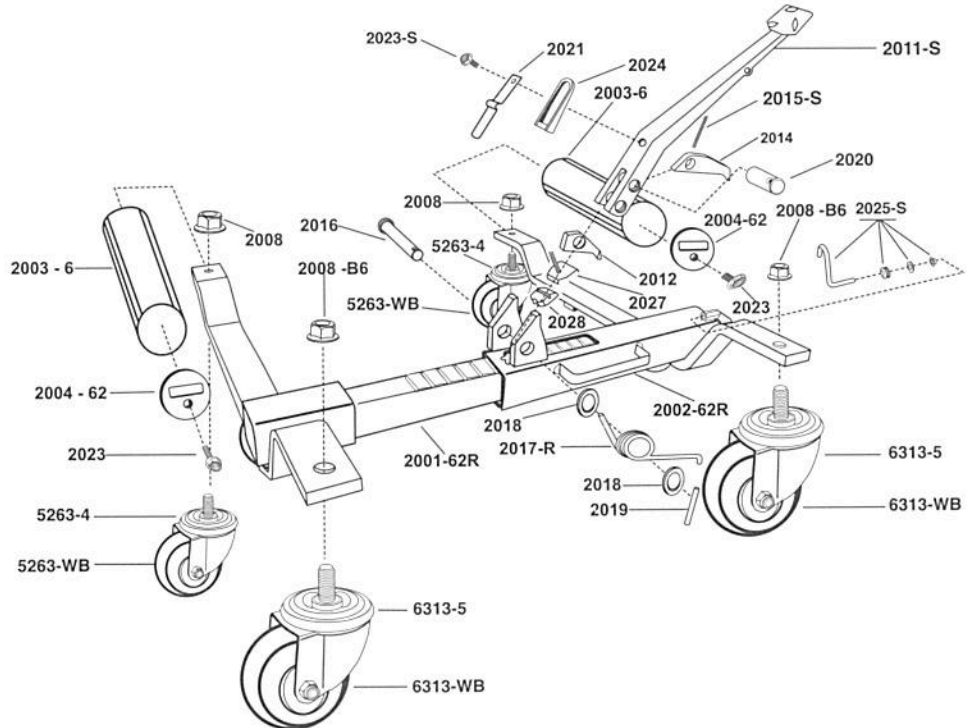
### Right Hand Unit Shown

Please Specify Right or Left Hand Model When Ordering

PART #	DESCRIPTION	PART #	DESCRIPTION	PART #	DESCRIPTION	PART #	DESCRIPTION
2001-47R	Inner Body & Axle Assy. R/H	5263-WB	Wheel & Bearing Blk 4"	2017-L	Torsion Spring L/H	2025-SL	Pedal Lock Assy. L/H
2001-47L	Inner Body & Axle Assy. L/H	2008	Lock Nut Caster 4"	2018	Washer	2027	End Stop Clip & Spring
2002-47R	Outer Body & Axle Assy. R/H	2011-S	Pedal (Steel)	2019	Roller Pin	2028	End Stop
2002-47L	Outer Body & Axle Assy. L/H	2012	Locking Pawl	2020	Upper Pivot Shaft	3011-56	GoJak Logo Label
2003-47	Roller (Steel)	2014	Working Pawl	2021	Flat Spring	3008-5	GoJak Model Label
2004-47	Roller Raceway	2015-S	Working Pawl Spring	2023-S	Self-Tapping Bolt	3010	Warning Label
2227	Raceway Lock Bolt	2016	Lower Pivot Shaft	2024	Directional Lever	3003	Serial No. Label
5263-4	4" Black Caster Assembly	2017-R	Torsion Spring R/H	2025-SR	Pedal Lock Assy. R/H		

# GOJAK<sup>®</sup>

## MODEL 6313



### Right Hand Unit Shown

Please Specify Right or Left Hand Model When Ordering

PART #	DESCRIPTION	PART #	DESCRIPTION	PART #	DESCRIPTION	PART #	DESCRIPTION
2001-62R	Inner Body & Axle Assy. R/H	6313-WB	Wheel & Bearing 5"	2017-L	Torsion Spring L/H	2027	End Stop Clip & Spring
2001-62L	Inner Body & Axle Assy. L/H	2008	Lock Nut Caster 4"	2018	Washer	2028	End Stop
2002-62R	Outer Body & Axle Assy. R/H	2008-B6	Lock Nut Caster 5"	2019	Roll Pin	2011-56	GoJak Logo Label
2002-62L	Outer Body & Axle Assy. L/H	2011-S	Pedal (Steel)	2020	Upper Pivot Shaft	3008-6	GoJak Model Label
2003-6	Roller (Steel)	2012	Locking Pawl	2021	Flat Spring	3010	Warning Label
2004-62	Roller Raceway	2014	Working Pawl	2023-S	Self-Tapping Bolt	3003	Serial No. Label
5263-4	Caster Assembly 4"	2015-S	Working Pawl Spring	2024	Directional Lever		
6313-5	Caster Assembly 5"	2016	Lower Pivot Shaft	2025-SR	Pedal Lock Assy. R/H		
5263-WB	Wheel & Bearing 4"	2017-R	Torsion Spring R/H	2025-SL	Pedal Lock Assy. L/H		

For Parts and Service, Call 1-800-446-5257 or visit [www.gojak.com](http://www.gojak.com)

**Congratulations:** You have just purchased one of the most useful vehicle maneuvering tools available: GoJak® is quick and easy to use, and safe in operation if used in accordance with these instructions. Read all the instructions and warnings first before attempting to operate. Make sure all additional personnel who are to use GoJak are familiarized with its operation.



**WARNING:** DO NOT operate GoJak® on inclined surfaces. GoJaks must be used on level surfaces only. Unanticipated motion will occur as soon as GoJak lifts tire from surface.

**WARNING:** DO NOT start the vehicle's engine, or drive with GoJaks in use. GoJaks are designed for hand maneuvering of vehicles only.

**WARNING:** DO NOT attempt to push GoJaks over obstacles; they are designed to be used on level and reasonably smooth surfaces only.

**WARNING:** DO NOT use GoJaks to lift tires wider than the rating that appears below and on the warning label on the unit. Tire widths are:

- Model 4107 is 7"
- Model 4520 is 20"
- Model 5211 is 11"
- Model 6313 is 13"

**WARNING:** DO NOT neglect regular lubrication requirements as outlined in the lubrication instruction section. Without proper lubrication, it is possible that internal scarring of the telescoping components may occur. This could lead to binding and unanticipated release of GoJak.

**WARNING:** DO NOT overload GoJak beyond the load rating per unit:

- Model 4107 - 1,025 lbs., 465 kg.
- Model 4520 - 1,125 lbs., 510 kg.
- Model 5211 - 1,300 lbs., 590 kg.
- Model 6313 - 1,575 lbs., 715 kg.

**WARNING:** GoJaks® must be used on smooth surfaces only. Hitting obstacles can cause jack to stop abruptly and may flip in its place which may cause damage. Keep tire as low to the ground as possible for maximum stability.

**GOJAK WARRANTY REGISTRATION**

Purchased from \_\_\_\_\_ Date Purchased \_\_\_\_\_  
 Purchaser \_\_\_\_\_  
 Address \_\_\_\_\_ City \_\_\_\_\_  
 State \_\_\_\_\_ Zip \_\_\_\_\_ Phone \_\_\_\_\_  
 Email \_\_\_\_\_

Check as many boxes as appropriate.

This GoJak® will be used for:

- Vehicle maneuvering in showrooms
- Vehicle maneuvering in storage lots
- Vehicle maneuvering in parking lots/garages
- Vehicle maneuvering in mechanical repairs
- Vehicle maneuvering in body repairs
- Vehicle maneuvering in during tire/wheel repairs
- Loading of spray or brake booths
- Wrecker and recovery
- Other, please list \_\_\_\_\_

I first learned of GoJak® from:

- Direct Mail Brochure
- Convention or Trade Show Exhibit
- Postcard Pack
- Jobber Recommendation
- Distributor Recommendation
- Friend/business associate
- Magazine Advertisement, please list \_\_\_\_\_
- Website, please list \_\_\_\_\_
- Other, please list \_\_\_\_\_

Please return this card for Warranty and Product Updates.

GoJak® Model:    \_\_\_ Model 4107    \_\_\_ Model 4520  
                          \_\_\_ Model 5211    \_\_\_ Model 6313

Zendex products are warranted to be free of defects in material or workmanship under normal use for two years from date of sale to user.

Any Zendex product or component claimed to be defective during warranty period must be returned to your local Zendex jobber or distributor for inspection; transportation charges prepaid. The product must be properly tagged, stating nature of defect; customer's name, address, and date of purchase. Your local Zendex jobber will direct warranty claim to Zendex Tool Corporation.

Any product or component determined defective by Zendex Tool Corporation, due to normal use will be repaired or replaced free of charge during warranty period and returned prepaid.

Warranty is void if equipment has been subjected to neglect, misuse, lack of proper lubrication, careless operation, faulty or deficient service, or if alterations or repairs have been made by other than an authorized representative, exclusive of normal maintenance.

The foregoing warranties are exclusive and are in lieu of all other warranties, (whether written, oral, or implied) including warranty of merchantability in other respects than expressly set forth above and warranty of fitness for a particular purpose.

Acknowledged,

Signature \_\_\_\_\_

Date \_\_\_\_\_



**OBSERVE THESE WARNINGS AT ALL TIMES**

LACK OF REGULAR LUBRICATION, OVER LOADING, AND MISUSE CAN BE DANGEROUS  
AND DAMAGE TO GOJAKS FROM THE ABOVE MISUSE MAY VOID THE WARRANTY.

**LUBRICATION INSTRUCTIONS: LUBRICATE WEEKLY**

1. Liberally coat toothed shaft with standard bearing grease (both sides and bottom only - do not lubricate teeth).
2. Lubricate pivot pins and mechanism with SAE 30 weight motor oil, or light machine oil.
3. Turn GoJak® over and lubricate ball bearings raceways on casters with SAE 30 weight motor oil or light machine oil. (Axle bearings are permanently lubricated at the factory, and do not require lubrication).
4. Lubricate roller raceways at each end with bearing grease.

---

---

---

PLACE  
STAMP  
HERE



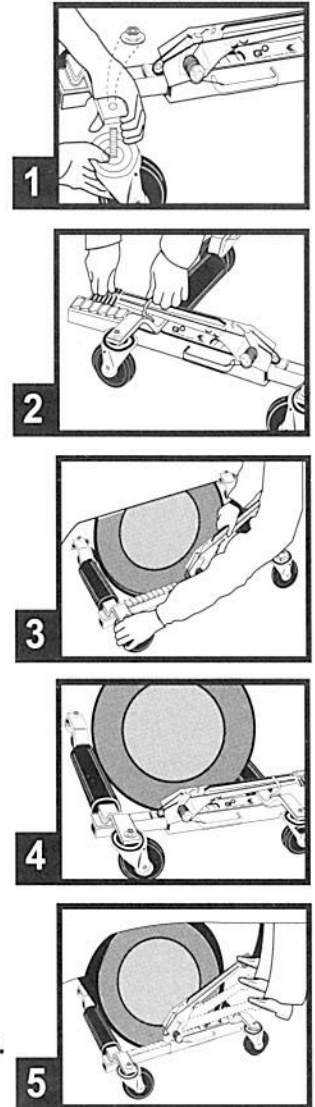
4 Larson Drive  
Danbury, CT 06810 USA

## **CASTER ASSEMBLY INSTRUCTIONS**

- 1 REMOVE CASTERS FROM PLASTIC BAG AND INSERT STEM OF CASTER THROUGH AXLE HOLE. INSTALL LOCK NUTS. TIGHTEN NUTS TO APPROXIMATELY 80 FT. LBS. OF TORQUE.**

## **GOJAK® OPERATING INSTRUCTIONS**

- 2 After casters are installed, you are now ready to operate GoJak®. Place GoJak on floor and press down on pedal to release pedal lock. Place directional lever (U-shaped lever found on top of pedal) in its lowered position. Depress pedal once again to release locking pawl and GoJak will now open.**
- 3 Expand GoJak far enough to place around and position so both rollers now contact the tire tread. To obtain the best control of GoJack while expanding around tire, place your left hand on top of the left side axle and your right hand at the center of the pedal, as shown in the diagram at the right.**
- 4 Install GoJak so that the unit is parallel to the sidewall of the tire to be lifted. Leave approximately 3/4" of clearance between tire and GoJak. This is very important: if unit is misaligned, it is possible that the tire will be forced to hit the axle of the GoJak and not the rollers, this may damage the GoJak and void the warranty.**
- 5 To lift the tire, flip directional lever up and place foot on pedal depressing with smooth even strokes. Cycle pedal until tire is lifted from the surface one inch or less. After lifting, the lower the tire is to the ground the more stable GoJak will be. Repeat process on the other tires and maneuver the vehicle as required. To release GoJak, place directional lever in the down position and cycle the pedal until the rollers disengage from the tire. GoJak may now be removed.**



Visit our website at: [www.zendextool.com](http://www.zendextool.com)



4 Larson Drive, Danbury, CT 06810 USA  
Phone: 1.800.446.5257 / 203.778.0400  
Fax: 203.778.0036 Email: [zendex@zendextool.com](mailto:zendex@zendextool.com)



GoJak® and the The Faster Caster System are Registered Trademarks of Zendex Tool Corporation. © 2014 Zendex Tool Corporation. All rights reserved. Specifications subject to change without notice. Part No. 4025